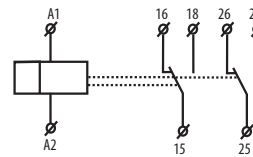


EAN code
CRM-2T /230V: 8595188112291
CRM-2T /UNI: 8595188112437

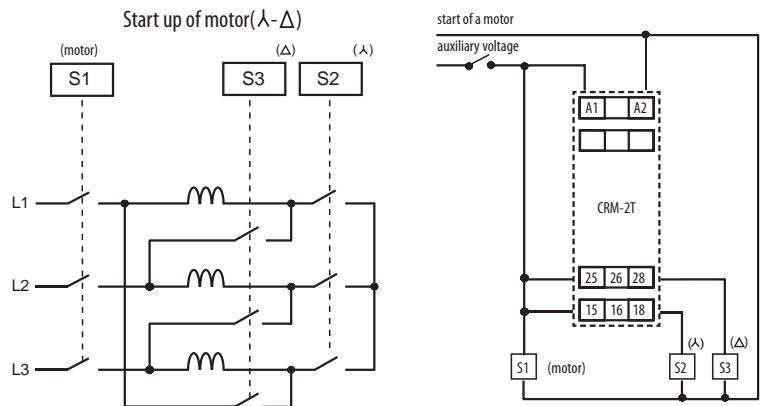
- Designated for delay ON of motors star/delta
- **Time t1 (star)** - time scale 0.1 s - 100 days divided into 10 time ranges
- rough time setting by rotary switch
- **Time t2 (delay) between \wedge / Δ :**
- time scale 0.1 s - 1 s
- fine time setting by potentiometer
- Voltage range: AC 230 V, AC/DC 12 - 240 V
- Output contact: 2x changeover/ DPDT 16A
- Output indication: multifunction red LED
- 1-MODULE, DIN rail mounting

Technical parameters		CRM-2T
Number of functions:		1
Supply terminals:		A1 - A2
Voltage range:	UNI	AC/DC 12 - 240 V/AC 50 - 60 Hz
Burden:		AC 0.7 - 3 VA / DC 0.5 - 1.7 W
Voltage range:	230	AC 230 V / 50 - 60 Hz
Burden:		AC max. 12 VA / 1.9 W
Operating range:		-15 %; +10 %
Supply indication:		green LED
Time scale:		t1: 0.1 s - 100 days, t2: 0.1 s-1 s
Time setting:		potentiometer
Time deviation:		5% - mechanical setting
Repeat accuracy:		0.2 % - set value stability
Temperature coefficient:		0.01 % / °C, at = 20 °C (0.01 % / °F, at = 68 °F)
Output		
Number of contacts:		2x changeover/ DPDT (AgNi / Silver Alloy)
Current rating:		16 A / AC1
Breaking capacity:		4000 VA / AC1, 384 W / DC
Inrush current:		30 A / <3 s
Switching voltage:		250 V AC1 / 24 V DC
Min. breaking capacity DC:		500 mW
Output indication:		multifunction red LED
Mechanical life:		3x10 ⁷
Electrical life (resistive):		0.7x10 ⁶
Reset time:		max. 150 ms
Other information		
Operating temperature:		-20 °C to +55 °C (-4 °F to 131 °F)
Storage temperature:		-30 °C to +70 °C (-22 °F to 158 °F)
Electrical strength:		4 kV (supply-output)
Operating position:		any
Mounting/DIN rail:		DIN rail EN 60715
Protection degree:		IP 40 from front panel / IP 20 terminals
Overvoltage category:		III.
Pollution degree:		2
Terminal wire capacity:		max. 1x 2.5, 2x 1.5 (AWG 12) with sleeve max. 1x 2.5 (AWG 12)
Dimensions:		90 x 17.6 x 64 mm (3.5" x 0.7" x 2.5")
Weight:		84 g (3 oz.)
Standards:		EN 61812-1, EN 61010-1

Symbol



Connection CRM-2T



Description

Supply terminals

Output indication multifunction red LED

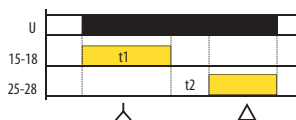
U	15-18	t1
LED 230V	25-28	t2
LED 24-480V		

Output contact

Output contact

Function

Delay ON star / delta



Time ranges t1:

