

VK 4000 Series Rod Thermostats

The VK 4000 series of rod thermostats is suitable for loads up to 20A. The product is designed with heavy duty contacts and a robust switching mechanism to provide excellent reliability and long life.

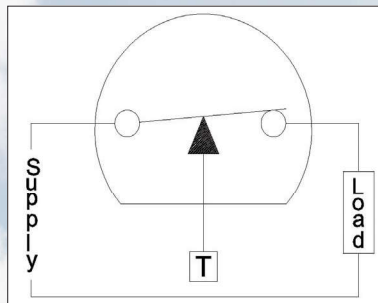


Technical Specification	
Contacts	Single pole
Function	Break on temperature rise
Voltage	230V ac \pm 10%
Current	20A*

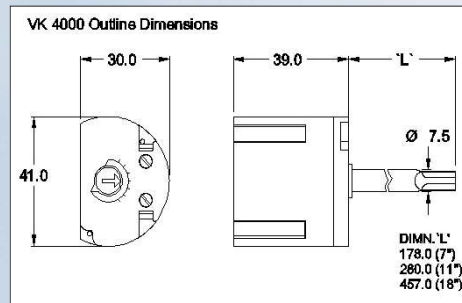
* not recommended for currents below 0.5A ac.

VK 4000

- **20A rating** – suits most domestic applications
- **Simple 2-wire connection** – easy to install
- **Manual reset options** – resets only by a positive action
- **3-standards lengths** – suits most domestic cylinders



VK 4000 wiring detail



VK 4000 dimensional details

Model	Part Number	Stem Length	Range (°C)	Differential (°C)	Features
VK 4251	152-4251	7" / 178mm	10 - 88	10	
VK 4252	152-4252	7" / 178mm	10 - 88	10	Pocket Clip
VK 4253	152-4253	7" / 178mm	40 - 110	10	
VK 4254	152-4254	7" / 178mm	40 - 110	10	Pocket Clip
VK 4351	152-4351	11" / 280mm	40 - 88	6	
VK 4352	152-4352	11" / 280mm	40 - 88	6	Pocket Clip
VK 4353	152-4353	11" / 280mm	70 - 120	6	
VK 4354	152-4354	11" / 280mm	70 - 120	6	Pocket Clip
VK 4355	152-4355	11" / 280mm	0 - 40	6	Pocket Clip
VK 4451	152-4451	18" / 457mm	55 - 85	5	

Note: These products are supplied in packs of 25 units

SF_225_0000 Dec'13