



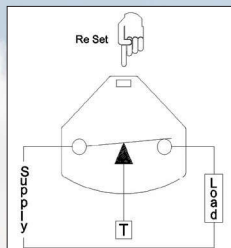
## VKL 2000 Series Rod Thermostats



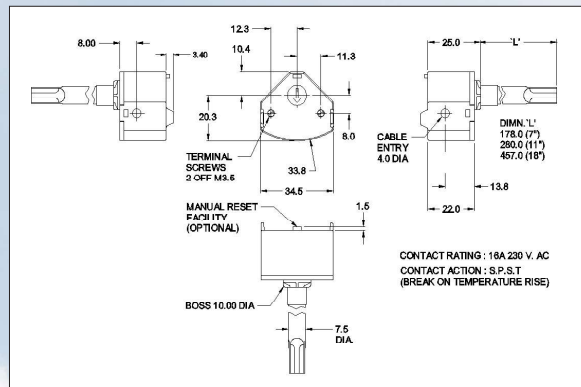
The VKL 2000 series of rod thermostats has been designed with a small head making it suitable for all purposes including dual heater applications.

### VKL 2000

- **16A rating** – suits most domestic applications
- **Simple 2-wire connection** – easy to install
- **Manual reset options** – resets only by a positive action
- **3-standards lengths** - suits most domestic cylinders



VKL 2000 wiring detail



VKL 2000 dimensional details

| Model    | Part Number | Stem Length | Range [°C] | Differential [°C] | Voltage  | Current Rating (Amps) |
|----------|-------------|-------------|------------|-------------------|----------|-----------------------|
| VKL 2201 | 101-2201    | 7" / 178mm  | 40 – 80    | 10                | 230 V ac | 16                    |
| VKL 2251 | 101-2251    | 7" / 178mm  | 45 – 85    | Manual Reset      | 230 V ac | 16                    |
| VKL 2301 | 101-2301    | 11" / 280mm | 50 – 80    | 6                 | 230 V ac | 16                    |
| VKL 2303 | 101-2303    | 11" / 280mm | 25 – 65    | 6                 | 230 V ac | 16                    |
| VKL 2351 | 101-2351    | 11" / 280mm | 35 – 85    | Manual Reset      | 230 V ac | 16                    |
| VKL 2401 | 101-2401    | 18" / 457mm | 50 – 80    | 5                 | 230 V ac | 16                    |

Note: These products are supplied in packs of 25 units

Tel: +44 (0)1698 308 302

E-mail: [sales@sunvic.co.uk](mailto:sales@sunvic.co.uk)

Web: [www.sunvic.co.uk](http://www.sunvic.co.uk)